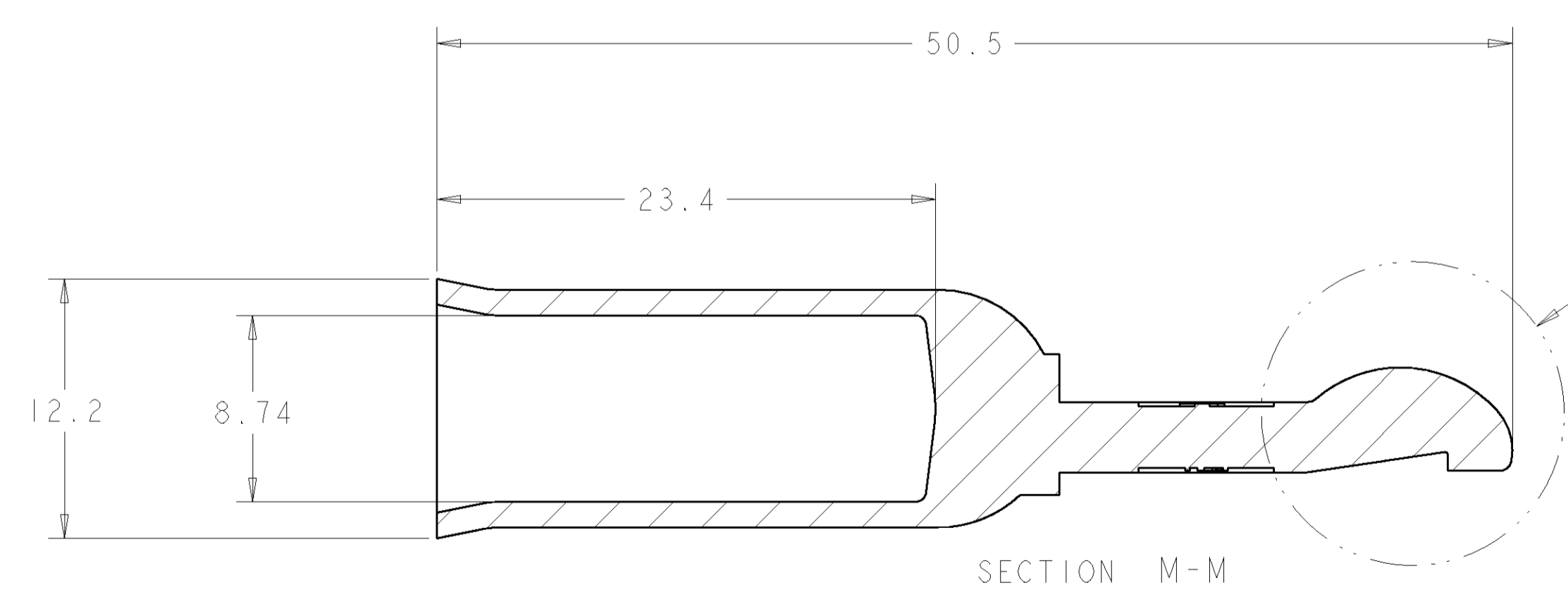
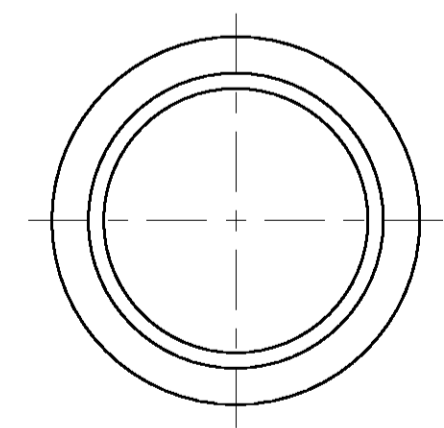
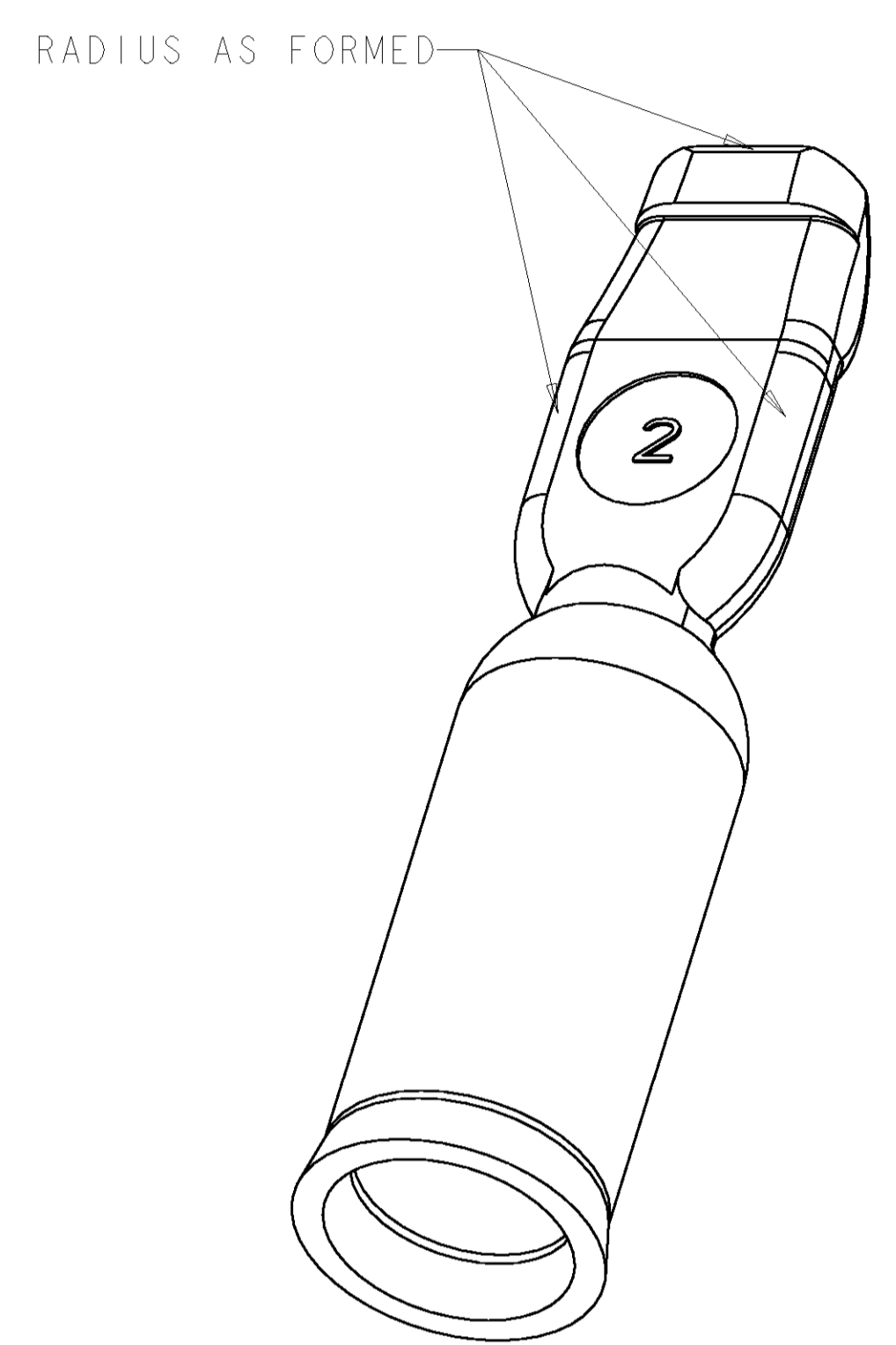
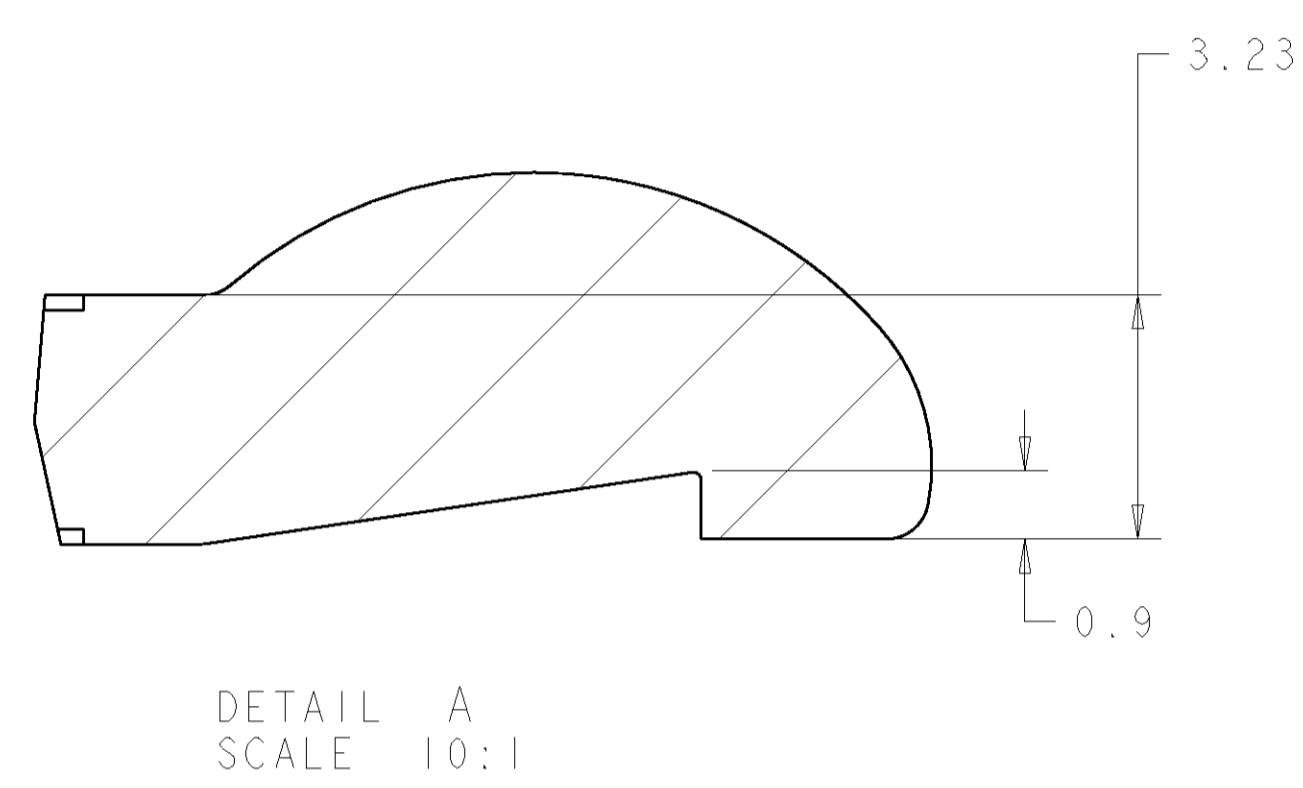
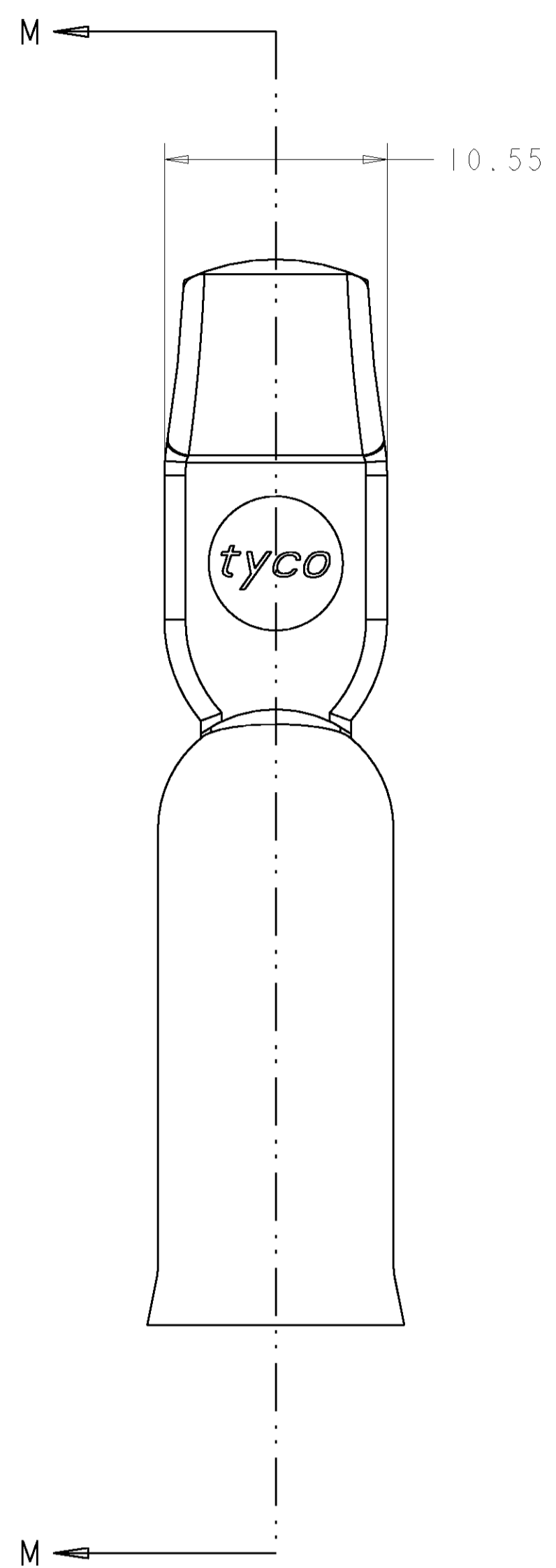


LOC		DIST		REVISIONS			
CM	00	P	LTR	DESCRIPTION	DATE	DWN	APVD
		0		RELEASED PER 063B-0061-03	13-MAY-03	KW	JE



1. MATERIAL: COPPER
2. PLATING: SILVER
3. THIS PRODUCT HAS PASSED VERIFICATION AND AGENCY APPROVALS TESTING AND IS COMPONENT RECOGNIZED PER UL 1977 AND CSA 22.2. TYCO ELECTRONICS PRODUCT QUALIFICATION TESTING IS NOT YET COMPLETED.

1445995-1
PART NUMBER

METRIC

<small>THE DIMENSIONS ON THIS DRAWING ARE UNLESS OTHERWISE SPECIFIED IN MILLIMETERS. DIMENSIONS IN PARENTHESES ARE FOR INFORMATION ONLY. DIMENSIONS IN INCHES ARE FOR INFORMATION ONLY. DIMENSIONS IN PARENTHESES ARE FOR INFORMATION ONLY. DIMENSIONS IN INCHES ARE FOR INFORMATION ONLY.</small>		DWN: HAYMAKER 28NOV01 ENR: K. KETELSLEGER 28NOV01 APVD: K. KETELSLEGER 28NOV01	tyco Tyco Electronics Harrisburg, PA 17105-3608
DIMENSIONS: mm: 0 PLC ± 1 PLC ± 2 PLC ±0.13 3 PLC ± 4 PLC ± ANGLES ± 5	TOLERANCES UNLESS OTHERWISE SPECIFIED: 0 PLC ± 1 PLC ± 2 PLC ±0.13 3 PLC ± 4 PLC ± ANGLES ± 5	NAME: KETELSLEGER PRODUCT SPEC: APPLICATION SPEC: WEIGHT: FINISH:	CONTACT, AMP POWER SERIES 120, 2 AWG SIZE: A 00779 C=1445995 SCALE: 4:1 SHEET: 1 OF 1 REV: 0
MATERIAL: -		CUSTOMER DRAWING	